

## Intelligent Network Camera w/ Ultra-Wide Dynamic Range



### Outline

#### *Improve the effectiveness of your surveillance!*

Lumenera's Li045 series of intelligent network cameras are designed for general security applications, providing high quality, progressive scan images in the most difficult lighting situations.

Enabled with ObjectVideo OnBoard - Lumenera's intelligent camera series are providing real-time video analytics at the camera head. Provides detailed monitoring of the scene – alerting when suspicious activity is occurring – allowing the surveillance operator to make more proactive decisions.

Streaming full D1 (720x480) resolution at 30 frames/sec, these cameras deliver outstanding picture quality and performance. Adjustable MJPEG and H.264 compressed still-images or live streaming video, are provided across a standard 10/100BaseT network interface.

Lumenera has simplified IP camera installation with a straightforward plug-and-play process. Intuitive user interface viewed with most browsers provides standard camera control.

The I/O connector provides an interface to an external alarm sensor or control of peripheral equipment such as; IR lighting, DC iris and PTZ. Alarm notification provides the date, time and camera IP address.

Programmable day/night settings automatically switch to enhanced low-light mode. Optional – True day/night module provides automatic sliding IR cut filter. When integrated with NIR illuminators, provides outstanding nighttime performance.

The user defined motion detection parameters across multiple zones provide more accurate triggering of alarms, while programmable privacy zones ensure compatibility with all regulations.

On-board memory buffers supply still images that precede and follow alarm events. Transfer of images via email, FTP, RTP or HTTP.

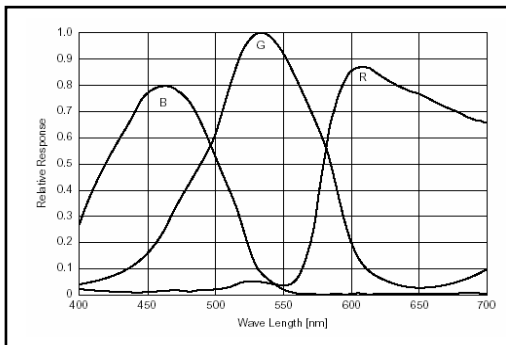
Model Li045 is a small compact form factor for fitting into outdoor housings, domes and PTZ systems. Contact us for details.

### Product Features

- Intelligent camera enabled with ObjectVideo OnBoard video analytics
- Ultra-wide dynamic range sensor 102dB (typical), 120dB (max)
- MJPEG or H.264 compression
- Optional true day/night functionality
- Easy set-up and installation
- 540 lines of resolution, color, progressive scan, 720x480 pixel sensor
- Up to 30 fps at full 720x480 resolution
- Feature rich camera functions:
  - o Auto White Balance & Auto Exposure
  - o Day/Night Mode
  - o Configurable Compression Ratio
  - o Multiple Motion Detection Zones
  - o Support for Multi Data-Stream
- I/O control of alarms, DC iris, PTZ, lighting or other peripherals
- Image transfer via HTTP, FTP, RTP, or Email
- Camera Control via HTTP, XML-RPC, Telnet or Microsoft COM
- Security / Password Protection
- FCC Class B, CE Certified
- CS lens mount provided standard, C-mount adapter available
- Compatible with most Operating Systems (Windows™ 98 SE, Windows Me, Windows 2K, Windows NT and Windows XP, Linux and Mac)
- Full 1 year warranty

Image Sensor	<b>1/3" format, color (only), 5.04mm x 3.78mm array</b>
Effective Pixels	<b>720x480, 7µm square pixels</b>
Frame Rate	<b>30fps at 720x480</b>
Dynamic Range	<b>102dB (typical) 120dB (max)</b>
Sensitivity	<b>0.5 lux at F 1.0</b>
Auto Exposure	<b>Automatic / Manual</b>
White Balance	<b>Automatic / Manual</b>
Dimensions (W x H x D)	<b>1.9" x 2.25" x 6.0" (not including lens)</b>
Mass	<b>~300g</b>
Power Requirement	<b>PoE (802.3af), or external 24VDC</b>
Power Consumption	<b>&lt;6 Watts</b>
Operating Temperature	<b>-10°C to +50°C (environmental enclosure will provide extended temperatures with fan / heater)</b>
Operating Humidity	<b>5%-95%, Non-condensing</b>
Interface Connector	<b>RJ45 twisted pair cable, 10/100baseT Ethernet</b>
Lens Mount	<b>Adjustable CS-Mount (lens not included)</b>
Image Buffer	<b>128 MB (thousands of full res images)</b>

Color Response

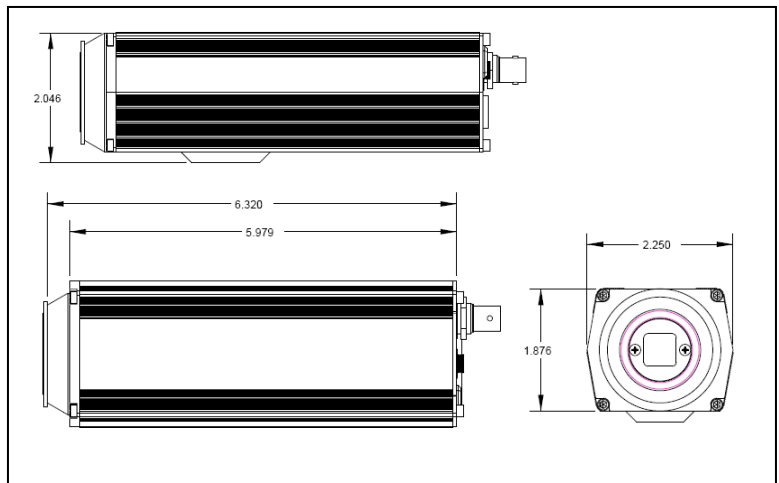


Recommended PC Specifications

O/S: Windows 2000 (SP 3), or XP (SP 1)  
 CPU: 2.8GHz or above Pentium computer  
 (required for full frame rate preview)

600Mhz or above Pentium compatible  
 computer (for basic functionality)

Network: 100 Mbps Ethernet LAN  
 Browser: Internet Explorer v6.0



### Ordering Information

- Li045C – Network Color Camera
- Li045C-DN – Network Color Camera with optional Day/Night module

Optional - various tiers of video analytic capabilities